

SUBMITTAL DATA SHEET



**XT/XA SERIES
SINGLE PACKAGE HEAT PUMP
MODELS: XTT03 THRU T05
XAT03 THRU T05**

JOB NAME:		LOCATION:		
PURCHASER:		ORDER NO:		
ENGINEER:				
SUBMITTED TO:	FOR:	REF:	APPROVAL:	CONSTRUCTION:
SUBMITTED BY:		DATE:		
UNIT DESIGNATION:		SCHEDULE NO.	MODEL NO.	

COOLING PERFORMANCE

TOTAL CAPACITY----- MBH
 SENSIBLE CAPACITY----- MBH
 OUTDOOR DESIGN TMP. _____ °F DB/WB
 TOTAL SUPPLY AIR----- CFM
 TEMP. OF AIR ENTERING
 EVAPORATOR COIL----- °F
 POWER INPUT REQ.----- KW
 (LESS BLOWER MOTOR)

HEATING PERFORMANCE

CAPACITY
 @ 47°F----- MBH
 @ 17°F----- MBH
 COEFFICIENT OF PERFORMANCE
 @ 47°F----- MBH
 @ 17°F----- MBH
 (RESISTANCE HEAT - SEE REVERSE SIDE)

SUPPLY AIR BLOWER PERFORMANCE

TOTAL SUPPLY AIR----- CFM
 EXT. STATIC PRESS.----- IWG
 BLOWER SPEED----- RPM
 POWER OUTPUT REQ.----- BHP
 MOTOR RATING----- HP
 POWER INPUT REQ.----- KW

ELECTRICAL DATA

POWER SUPPLY-----
 TOTAL UNIT AMPACITY----- AMPS
 MAX. OVERCURRENT DEVICE
 ___ FUSE ___ BREAKER----- AMPS

TOTAL UNIT WEIGHT

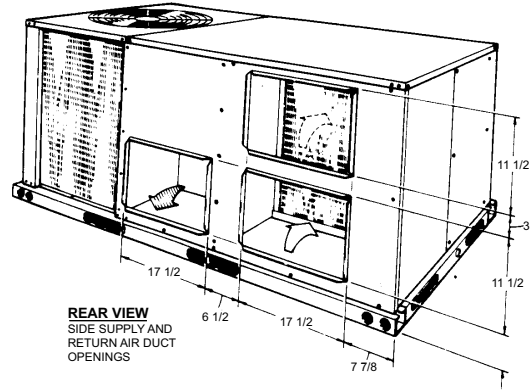
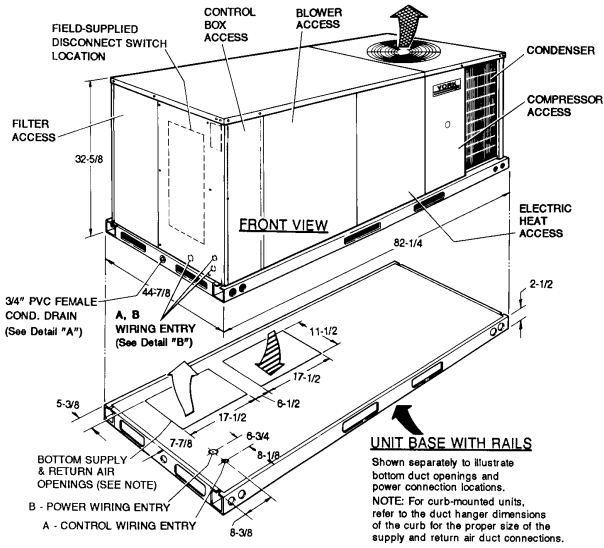
INCLUDING FACTORY- INSTALLED
 OPTIONS----- LBS

FACTORY INSTALLED OPTIONS

- OUTDOOR DRY BULB SENSOR ECONOMIZERS -----
- MOTORIZED OUTDOOR AIR INTAKE DAMPER -----
- PHENOLIC COATED EVAPORATOR COILS-----
- PHENOLIC COATED CONDENSER COILS -----
- E-COAT EVAPORATOR COILS -----
- E-COAT CONDENSER COILS -----
- ELECTRIC HEATERS -----
- FILTER (2" PLEATED FILTERS, MERV 7)-----
- POWERED CONVENIENCE OUTLET-----
- NON-POWERED CONVENIENCE OUTLET -----
- DISCONNECT SWITCH-----
- BAS - (BUILDING AUTOMATION SYSTEMS) -----
- Simplicity® Smart Equipment (SSE) w/Communication
- BACnet MS/TP (programmable to Modbus or N2 protocols)-----
- Honeywell™ -----
- Novar®-----
- CPC -----
- SMOKE DETECTOR (RETURN)-----
- SMOKE DETECTOR (SUPPLY) -----
- COIL GUARD -----
- STAINLESS STEEL DRAIN PAN -----
- BAS READY ECONOMIZER (2-10 V.D.C. ACTUATOR WITHOUT
- A CONTROLLER) -----
- AIR PROVING SWITCH-----
- PHASE MONITOR-----
- BELT DRIVE -----
- BELT DRIVE (HIGH STATIC)-----
- DIRECT DRIVE -----
- DIRTY FILTER SWITCH -----
- HINGED TOOLLESS FILTER, MOTOR AND ELECTRICAL ACCESS
- PANELS -----

FIELD INSTALLED ACCESSORIES

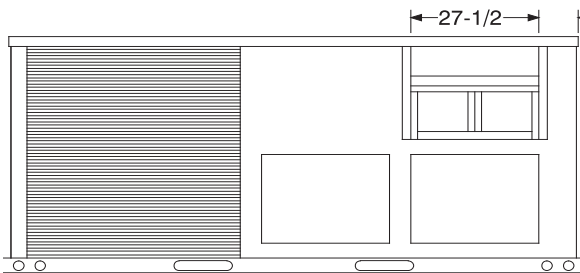
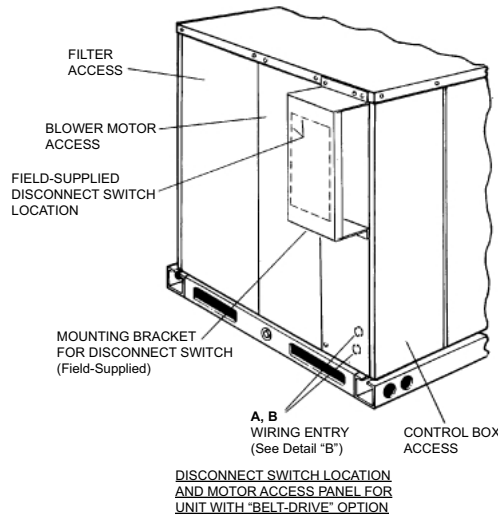
- ENTHALPY ACCESSORY CONTROL KIT (SINGLE OR DUAL) -----
- MOTORIZED OUTDOOR AIR INTAKE DAMPER -----
- ROOF CURBS -----
- BAROMETRIC RELIEF DAMPER -----
- BURGLAR BARS-----
- CO₂ SENSOR, UNIT MOUNT-----
- CO₂ SENSOR, SPACE MOUNT -----
- DIRTY FILTER SWITCH -----
- AIR PROVING SWITCH-----
- POWER EXHAUST -----
- ELECTRIC HEAT -----
- COIL GUARDS -----
- HAIL GUARDS -----
- WALL MOUNT TEMPERATURE SENSOR -----
- WALL MOUNT TEMPERATURE SENSOR WITH OVERRIDE-----
- WALL MOUNT TEMPERATURE SENSOR WITH OVERRIDE
- & SET POINT ADJ. -----
- HUMIDITY SENSOR -----



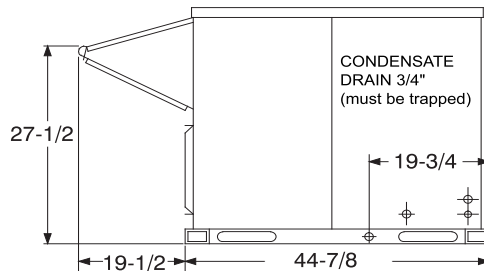
UTILITIES ENTRY DATA

HOLE	KNOCKOUT SIZE (DIA.)	USED FOR
A	7/8"	Control Wiring (Side or Bottom)
B	2"	Power Wiring (Side or Bottom)

UNIT BASE WITH RAILS
 Shown separately to illustrate bottom duct openings and power connection locations.
 NOTE: For curb-mounted units, refer to the duct hanger dimensions of the curb for the proper size of the supply and return air duct connections.

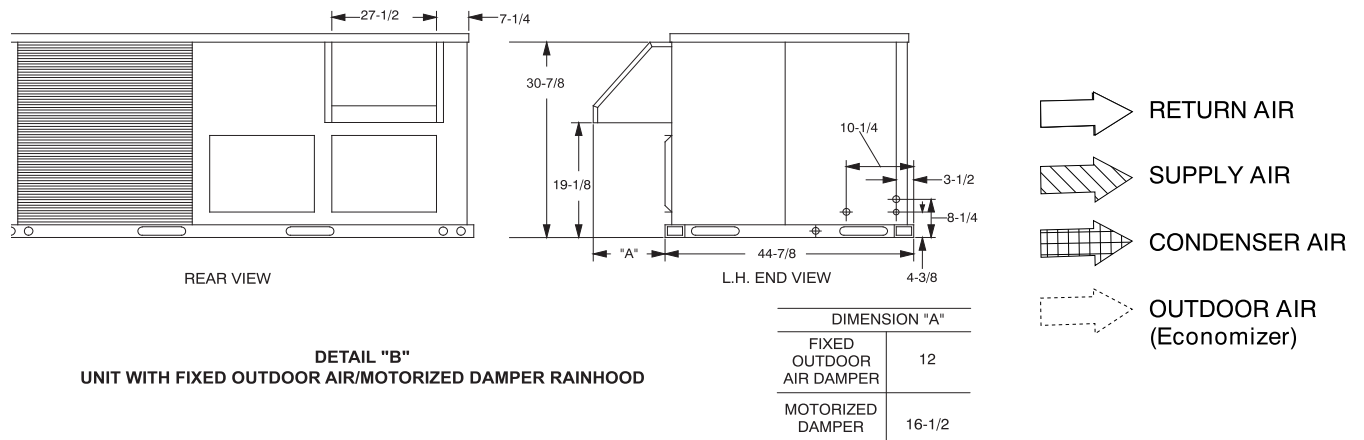


REAR VIEW



L.H. END VIEW

**DETAIL "A"
 UNIT WITH ECONOMIZER RAINHOOD**



MINIMUM CLEARANCES

LOCATION	CLEARANCE
Front	24" (Cooling/Electric Heat)
Rear	12" (Less Economizer) 36" (With Economizer or Fixed Air/Motorized Damper)
Left Side (Filter Access)	24" (Less Economizer) 36" (With Economizer)
Right Side (Cond. Coil)	24"
Below Unit ¹	0"
Above Unit ²	72" (For Condenser Air Discharge)

1. Units may be installed on combustible floors made from wood or class A, B, or C roof covering material.
2. Units must be installed outdoors. Overhanging structures or shrubs should not obstruct condenser air discharge outlet.

NOTE: Units and ductwork are approved for zero clearance to combustible materials when equipped with electric heaters.

NOTE: All entry holes should be field sealed to prevent rain water entry into building.

NOTES

REFER TO TECHNICAL GUIDE FOR THE LIST OF STANDARD FEATURES
ATTACHED **NOT ATTACHED**

Subject to change without notice. Printed in U.S.A.
Copyright © 2015 by Johnson Controls, Inc. All rights reserved.

5123246-TSD-A-0515
Supersedes: Nothing

York International Corporation
5005 York Drive
Norman, OK 73069